

## COMPRESSION FITTING WITH ADAPTOR FOR PLASTIC OR MULTILAYER PIPE – R179AM



**R179AM**

### Use

The joint of the plastic or multilayer pipes to distribution systems can be made by using this kind of compression fittings.

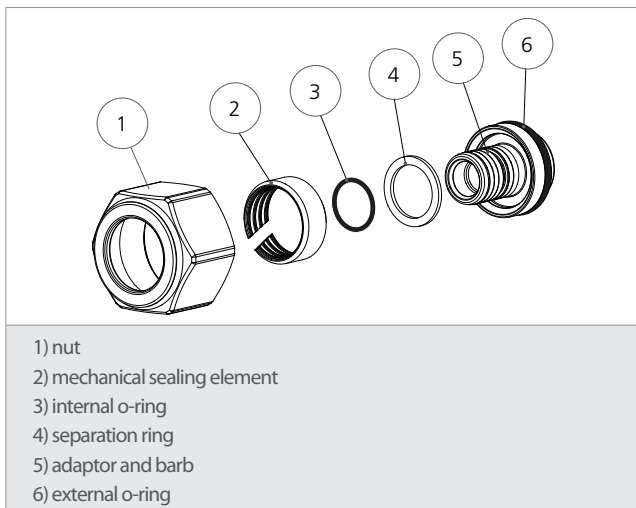
### Technical data

- Temperature range: 5÷110°C
- Maximum working pressure: 10 bar
- Hydraulic sealing elements: black sealing o-ring made of EPDM, complying with EN 681.1 standard.

### Versions and product codes

It is recommended to refer to the updated price list catalogue, or to contact the “product consulting” service to identify the adaptor suitable to the use of the interested pipe.

### Installation



- 1) nut
- 2) mechanical sealing element
- 3) internal o-ring
- 4) separation ring
- 5) adaptor and barb
- 6) external o-ring

1) The pipe must be cut perpendicularly to its axis by means of the R990 pipe cutter (to make the cut easier, it is recommended to rotate slightly the pipe cutter during the operation) or in case of multilayer pipes, use the RP204 roller pipe cutter to limit the ovality.

2) In order to guarantee the joint efficacy, avoid any damage to the hydraulic sealing elements during the installation.

A. Deburr the internal surface of the pipe by using the appropriate RP205 tool;

B. Calibrate the internal surface of the pipe by using the appropriate RP209 tool (only in case of multilayer pipes);

C. Lubricate either the hydraulic sealing elements or the internal surface of the pipe in contact with the internal o-ring.

3) In case of multilayer pipes, firstly fit the separation ring, and subsequently the pipe on the barb of the adaptor, up to the stop.

4) Through the external o-ring, house the adaptor in the terminal of the thermo-hydraulic distribution / regulation system.

5) Proceed with the tightening of the nut to the terminal of the thermo-hydraulic distribution / regulation system.



#### Caution!

In the joint of the multilayer pipes to the thermo-hydraulic distribution / regulation systems, the interposition of the plastic separation ring between the uncovered surface of the metallic pipe layer and the adaptor body, prevents the arising of electro-corrosive phenomenon that could compromise the joint reliability.



#### Caution!

An excessive torque value to the terminal of the thermo-hydraulic distribution / regulation system risks to compromise either the mechanical or the hydraulic behaviour of the fitting.

### Standard references

EN 1254 – 3

Copper and copper alloys. Plumbing fittings. Fittings with compression ends for use with plastics pipes.

EN 1254 – 4

Copper and copper alloys. Plumbing fittings. Fittings combining other end connections with capillary or compression ends.

### Product specifications

Compression fitting with brass adaptor for plastic or multilayer pipe. Black sealing o-ring in EPDM, complying with EN 681-1. For hydraulic and sanitary systems. Temperature range 5÷110°C. Maximum working pressure 10 bar.

### Additional information

For additional information please check the Giacomini website at the following address: [www.giacomini.com](http://www.giacomini.com)

☎ +39 0322 923 372

☎ +39 0322 923 255

✉ [consulenza.prodotti@giacomini.com](mailto:consulenza.prodotti@giacomini.com)

*This pamphlet is merely for information purposes. Giacomini S.p.A. retains the right to make modifications for technical or commercial reasons, without prior notice, to the items described in this pamphlet. The information described in this technical pamphlet does not exempt the user from following carefully the existing regulations and norms on good workmanship.*

Giacomini S.p.A. Via per Alzo 39, I-28017 San Maurizio d'Opaglio (NO) Italy